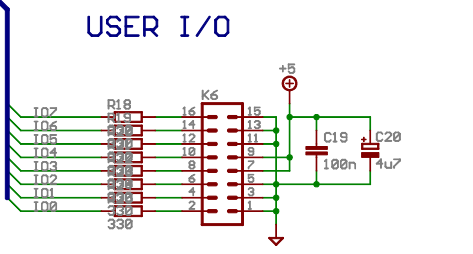
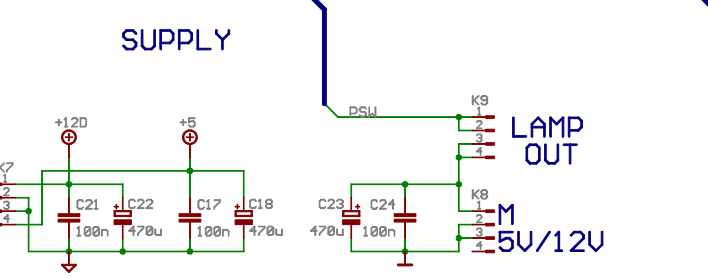
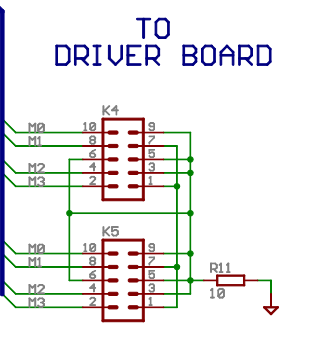
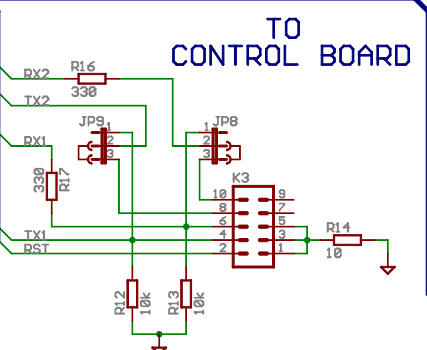
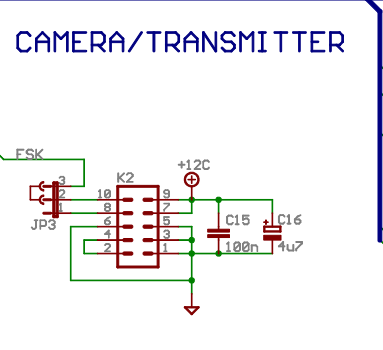
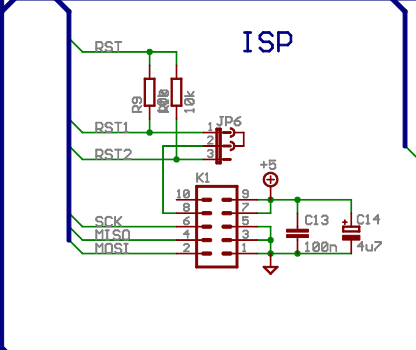
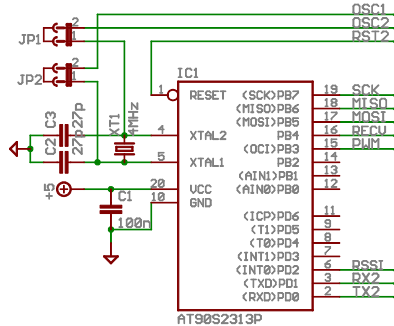
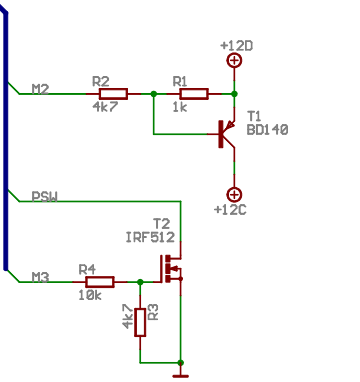
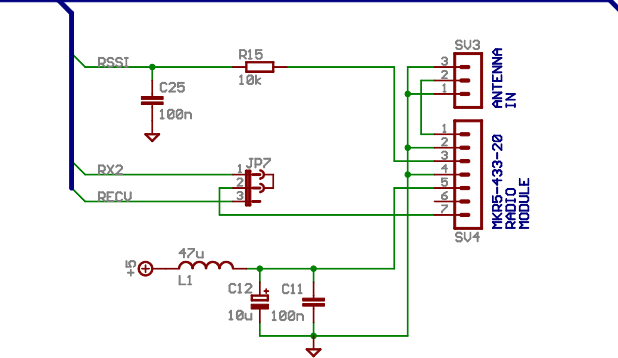
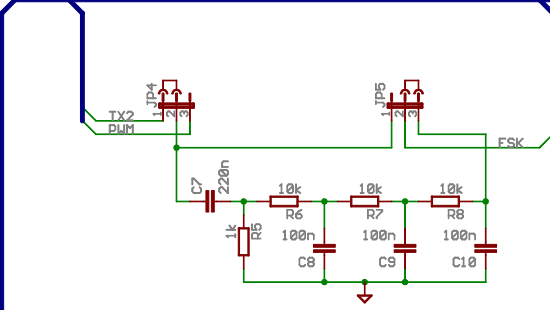
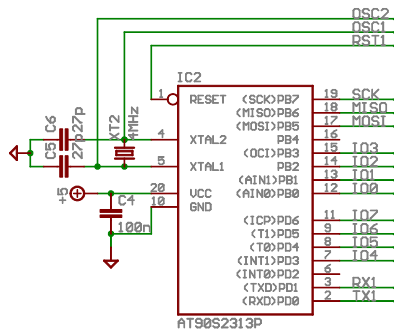


FSK FILTER

RECEIVER

POWER SWITCHES



Revision history:
 1.1 Old wire-pads for radio-module replaced by wire-pads for MKR5 module
 Pass-through for M1-M4 connector added
 Signal-strength signaling added
 Bus protection resistors R16..R25 added
 Some pins on IC1 swapped
 Pinning on K4 and K6 changed

| | |
|--------------------------------|------------|
| EXPLORER RECEIVER BOARD | |
| (c)2002 by Daniël Abrahams | |
| TITLE: cart_final_v3_conn | |
| Document Number: | REV: 1.1 |
| Date: 9/19/2002 12:08:58a | Sheet: 1/1 |